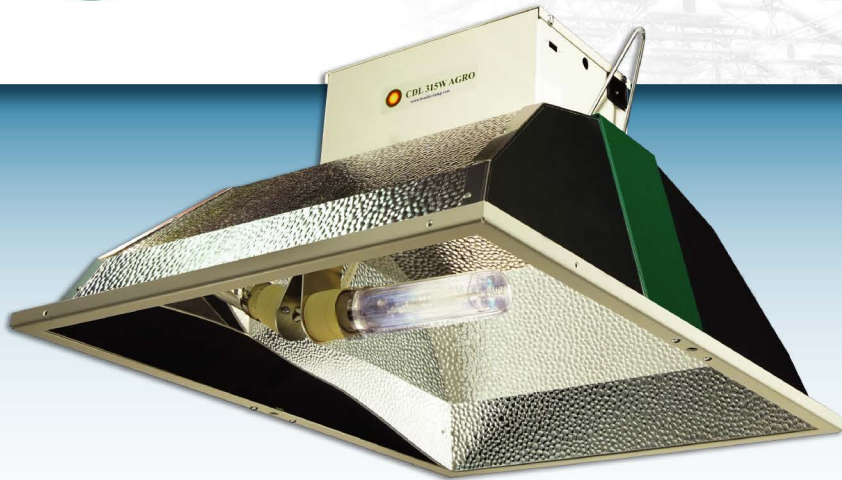


BLI™

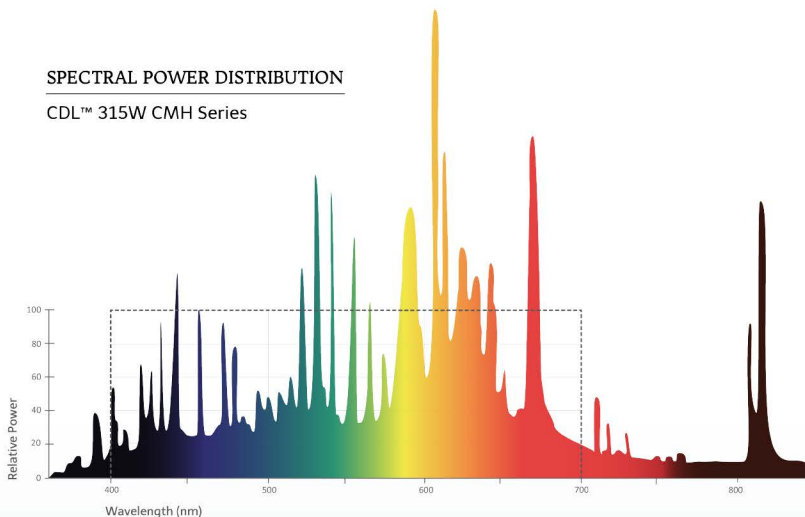
Color Augmenting Horticulture Lighting



BLI CDL™ 315W Agro

BLI pioneered the 315W CDL Agro light. It was introduced in October, 2012. It integrates high efficiency reflectors with a Philips 315W CMH GreenPower™ Lamp and Philips electronic ballast for high reliability and performance. UVA rich tailored spectrum provides higher yield and potency.

SPECTRAL POWER DISTRIBUTION
CDL™ 315W CMH Series



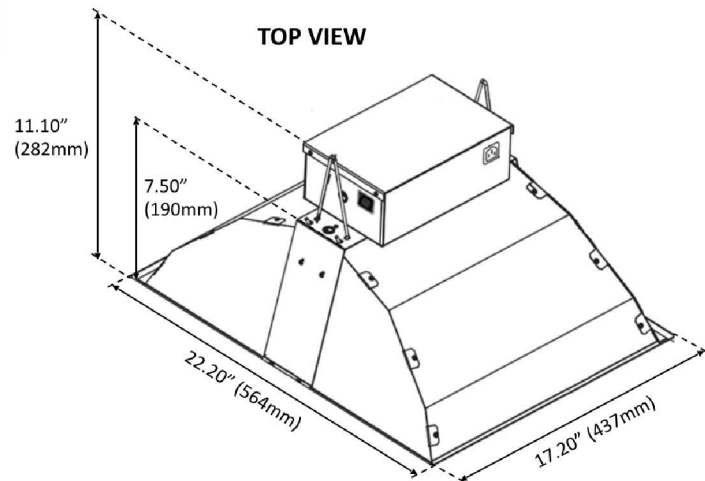
Philips 315W Agro Spectrum

Electrical Specification

North America	120V	208V	240V	277V
Nominal Input Current	2.88	1.63	1.42	1.23
Nominal Input Power	345	340	340	340
BTU	1,176	1,159	1,159	1,159
Daisy Chained Units per 20A Circuit	4	8	9	11

General Features

Dimensions	22.2 in x 17.2 in x 11.1 in (564mm x 437mm x 282mm)
Weight	10.5 lbs
Coverage Area	Up to 4ft x 2ft



Benefits

- ✔ Ideal for Both Flowering & Vegetative Stages
- ✔ Spectrum Contains UVA & Far Red
- ✔ Provides High Potency
- ✔ Tailored Spectrum Provides Optimum Levels of Blue, Green, Yellow & Red Light
- ✔ Daisy Chain & Dimming Capabilities
- ✔ High Reliability & Performance
- ✔ High Efficiency Reflector

Applications

- ✔ Ideal for Conventional Indoor Grow
- ✔ Suitable for Low Ceiling Height
- ✔ Suitable for Multi-Tier Applications
- ✔ Tent Friendly
- ✔ Upgrade to Fusion460

Light Source: Philips 315W CMH GreenPower™ Lamp
Dimming: Optional
Electrical and Wet Rating: Meets UL Requirements
Recommended Mounting Height: 1 to 2 Feet Above Canopy
Warranty: 3 Year Limited

© Copyright 2021 BoulderLamp, Inc.
 www.boulderlamp.com | info@boulderlamp.com | (303)-444-4852
 Horticultural lighting | Not suitable for household illumination

