

BLI™

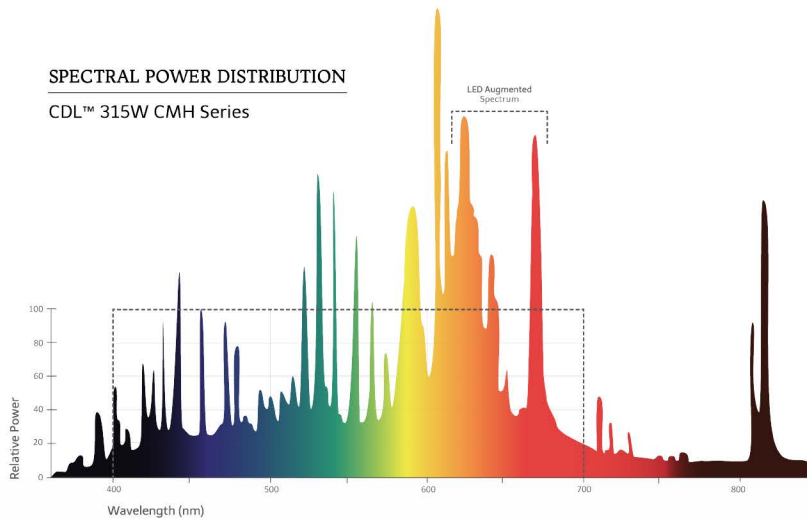
Color Augmenting Horticulture Lighting



BLI 315W LED FUSION460

315W LED FUSION460 grow lights incorporate Philips 315W CMH GreenPower™ lamp and 100% top bin OSRAM white and red horticulture LEDs to expand coverage area and augment the 315W flowering spectrum. 315W LED FUSION460 framing architecture ensures excellent light uniformity and penetration. Due to its large footprint (coverage area), this grow light is widely used in greenhouse cultivation.

SPECTRAL POWER DISTRIBUTION CDL™ 315W CMH Series



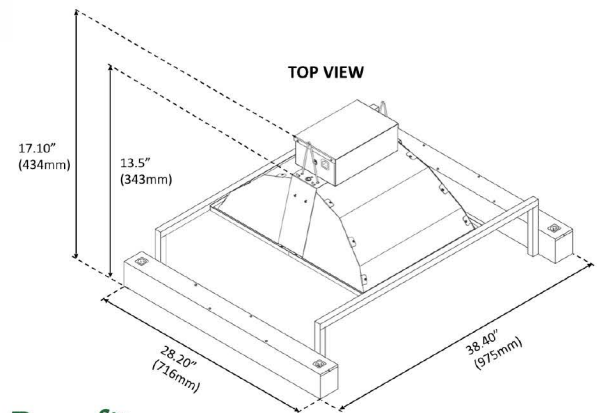
Philips 315W Agro + LED Fusion460 Spectrum

Electrical Specification

North America	120V	208V	240V	277V
Nominal Input Current	4.00	2.26	1.96	1.70
Nominal Input Power	480	470	470	470
BTU	1,637	1,603	1,603	1,603
Daisy Chained Units per 20A Circuit	3	6	7	8

General Features

Dimensions	28.2 in x 38.4 in x 17.1 in (716mm x 975mm x 434mm)
Weight	20.5 lbs
Coverage Area	Up to 12 sq-ft for Indoor Flowering and Up to 30 sq-ft for Greenhouse Cultivation
Spectrum	Red and White LED Augmented Philips 315W Agro Spectrum



Benefits

- ✔ Large Coverage Area.
3 Lights per 4ft x 8ft Indoor Grow Table
- ✔ Suitable for Both Flowering & Vegetative Stages
- ✔ Increased Yield by Up to 20% Compared to BLI 315W CDL Agro
- ✔ Provides High Potency
- ✔ High Reliability & Performance
- ✔ Color Augmentation Technology
- ✔ Daisy Chain & Dimming Capabilities

Applications

- ✔ Suitable for Multi-Tier Application
- ✔ Ideal for Low to Medium Height Greenhouse Cultivation
- ✔ Suitable for Conventional Indoor Grow
- ✔ HPS Phase Out Alternative
- ✔ Upgrade from 315W

CMH Light Source: Philips 315W CMH GreenPower™ Lamp

LED Light Source: 100% OSRAM Top Bin LED Chips

Color Augmenting Technology: Red and White LED Augmented Philips 315W Agro Spectrum

Dimming: Optional

Electrical and Wet Rating: Meets UL Requirements

Recommended Mounting Height: 1 to 2 Feet Above Canopy

Warranty: 3 Year Limited

Powered by
Color Augmenting
Technology
and
OSRAM LEDs

© Copyright 2021 BoulderLamp, Inc.
www.boulderlamp.com | info@boulderlamp.com | (303)-444-4852
Horticultural lighting | Not suitable for household illumination

