

BLITM
Color Augmenting Horticulture Lighting



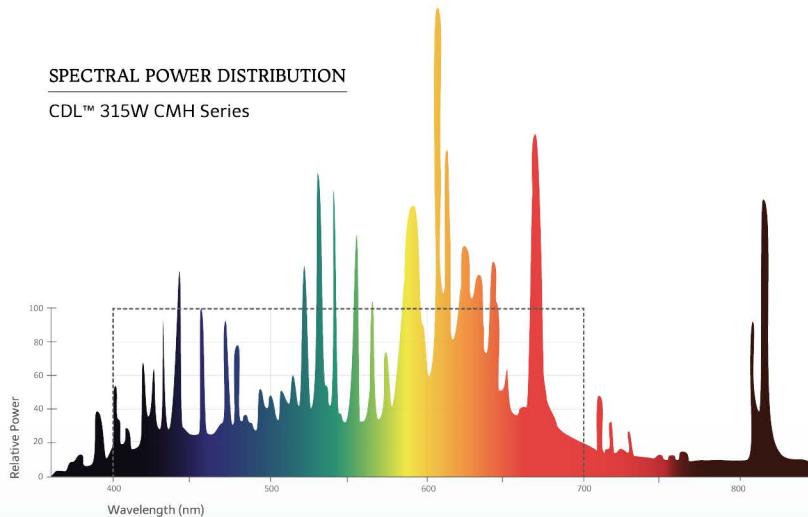
Slimline 315W CDLTM Agro

*Slim Form Factor. Height is 3.3in

BLI pioneered the 315W CDL grow light. It integrates high efficiency reflectors with a Philips 315W CMH GreenPowerTM Lamp and Philips electronic ballast for high reliability and performance. UVA rich tailored spectrum provides higher yield and potency. Low-Profiling applications can benefit from the Slimline CDL 315W Agro.

SPECTRAL POWER DISTRIBUTION

CDLTM 315W CMH Series



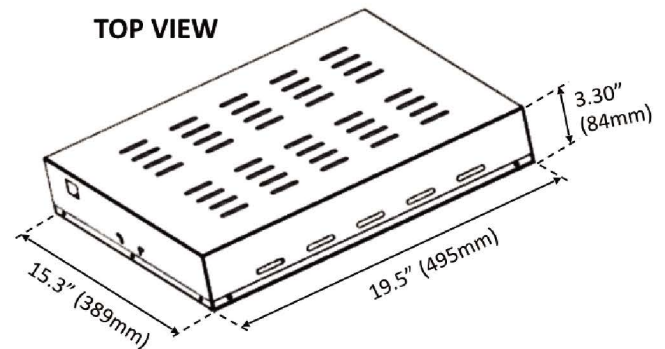
Philips 315W Agro Slimline Spectrum

Electrical Specification

North America	120V	208V	240V	277V
Nominal Input Current	2.88	1.63	1.42	1.23
Nominal Input Power	345	340	340	340
BTU	1,176	1,159	1,159	1,159
Daisy Chained Units per 20A Circuit	4	8	9	11

General Features

Dimensions	19.5 in x 15.3 in x 3.3 in (495mm x 389mm x 84mm)
Weight	8.9 lbs
Coverage Area	Up to 2ft x 4ft



Benefits

- ✔ Suitable for Both Flowering & Vegetative Stages
- ✔ Spectrum Contains UVA & Far Red
- ✔ Provides High Potency
- ✔ Tailored Spectrum Provides Optimum Levels of Blue, Green, Yellow & Red Light
- ✔ Daisy Chain & Dimming Capabilities
- ✔ High Reliability & Performance
- ✔ High Efficiency Reflector

Applications

- ✔ Conventional Indoor Grow
- ✔ Suitable for Low Ceiling Height
- ✔ Suitable for Multi-Tier Applications
- ✔ Tent Friendly

Light Source: Philips 315W CMH GreenPowerTM Lamp

Dimming: Optional

Electrical and Wet Rating: Meets UL Requirements

Recommended Mounting Height: 1 to 2 Feet Above Canopy

Warranty: 3 Year Limited



© Copyright 2021 BoulderLamp, Inc.
www.boulderlamp.com | info@boulderlamp.com | (303)-444-4852
Horticultural lighting | Not suitable for household illumination